

MinuteBank

VRLA AGM Battery

BT-FT-150-12 [12V150Ah]



General Features

- Designed floating charging service life: 12 years (25°C)
- Sealed and maintenance free operation
- Safety valve installation for explosion proof
- Low self-discharge characteristic
- Wide operating temperature range from 0°C~40°C
- Lead Aluminum calcium Tin alloy high energy, prevent corrosion

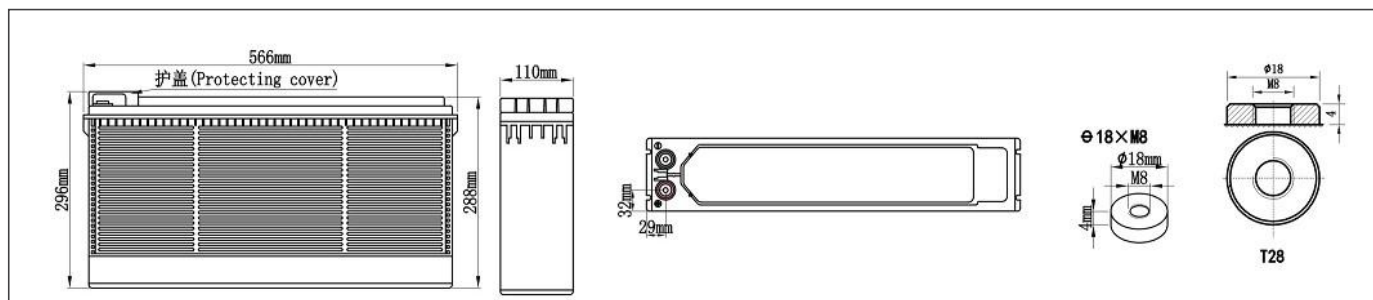
Application

- DC power supply
- UPS/EPS power supply
- Electrical devices & instruments
- Security and fire alarm systems
- Telecom stations and power stations
- Medical equipments
- Emergency lighting systems

Physical Specifications

Nominal Voltage	Nominal Capacity (10HR)	Dimension				Weight ±3%	Internal Resistance (In full charge status)	Standard Terminals
		L	W	H	TH			
12V	150AH	566±4mm	110±2mm	288±3mm	296±3mm	Approx 44.0kg (97.0lbs)	≈5.00mΩ	T28 (standard)

Dimensions



Battery Discharge Table

End Voltage (V)	Minute (M)					Hour (H)							
	5	10	15	30	45	1	1.5	2	3	5	8	10	20
Constant Current Discharge Data Sheet (Amperes at 25°C)													
10.20	472	360	271	144	133	93.6	73.9	61.9	38.8	26.95	19.17	15.88	8.03
10.50	419	330	253	138	127	89.9	71.0	59.7	37.5	25.73	18.13	15.58	7.95
10.80	389	300	237	133	121	86.1	68.1	57.3	36.2	24.62	17.23	15.13	7.85
Constant Power Discharge Data Sheet (Watt at 25°C)													
10.20	4695	3975	2861	1797	1350	1173	855	644	480	310	230	195	102.2
10.50	4515	3375	2568	1756	1320	1155	842	623	465	300	227	189	99.0
10.80	4200	3150	2452	1718	1275	1103	804	602	449	289	224	180	96.8

NOTE : The battery should be charged within 6 months of storage, Otherwise, permanent loss of capacity might occur as a result of sulfation

Constant-Voltage Charge

Rated Capacity	
20 hour rate (7.5A)	154.5AH
10 hour rate (15.0A)	151.0AH
5 hour rate (25.5A)	127.5AH
3 hour rate (37.5A)	114.0AH
1 hour rate (90.0A)	90.0AH
Capacity affected by Temperature	
40°C(104°F)	103%
25°C(77°F)	100%
0°C(32°F)	86%

Cycle Application

1. Limit initial current less than 37.5A.
2. Charge until battery voltage (under charge) reaches 14.1V to 14.4V at 25°C(77°F).
3. Hold at 14.1V to 14.4V until current drop to under 0.90A for at least 3 hours.
4. Temperature compensation coefficient of charging voltage is -30mV/°C.

Standby Service

1. Hold battery across constant voltage source of 13.6 to 13.8 volts with current limit 37.50A continuously. When held at this voltage, the battery will seek its own current level and maintain itself in a fully charge status.
2. Temperature compensation coefficient of charging voltage is -18mV/°C.

Performance Characteristics

